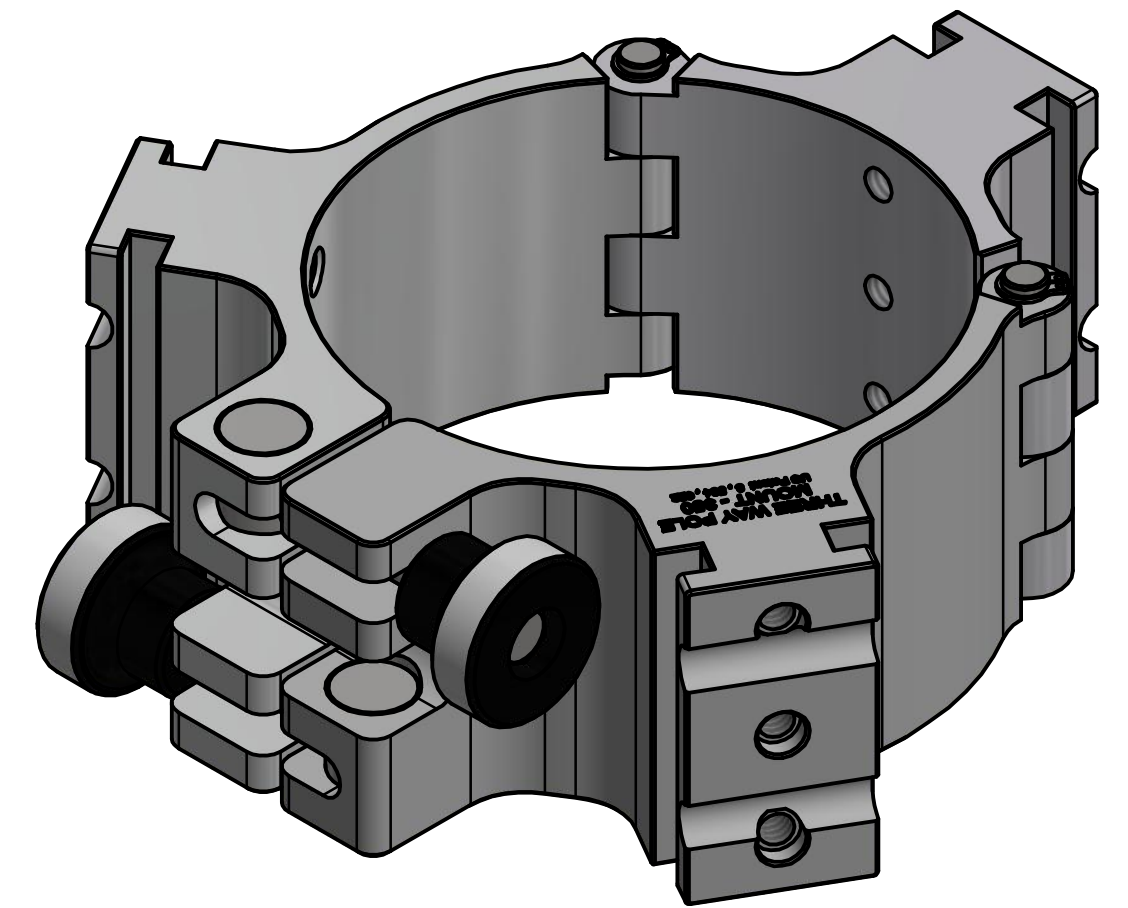
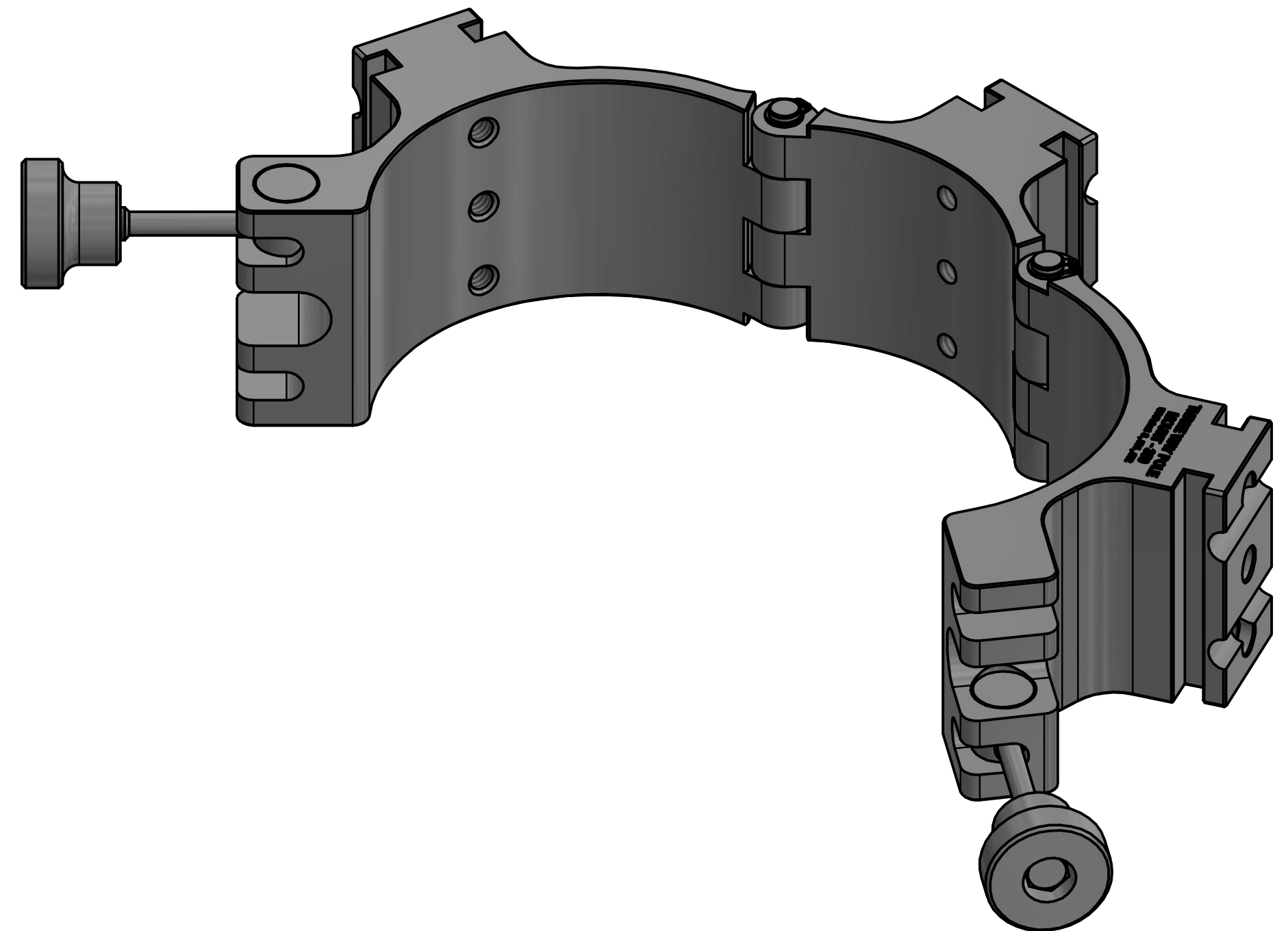
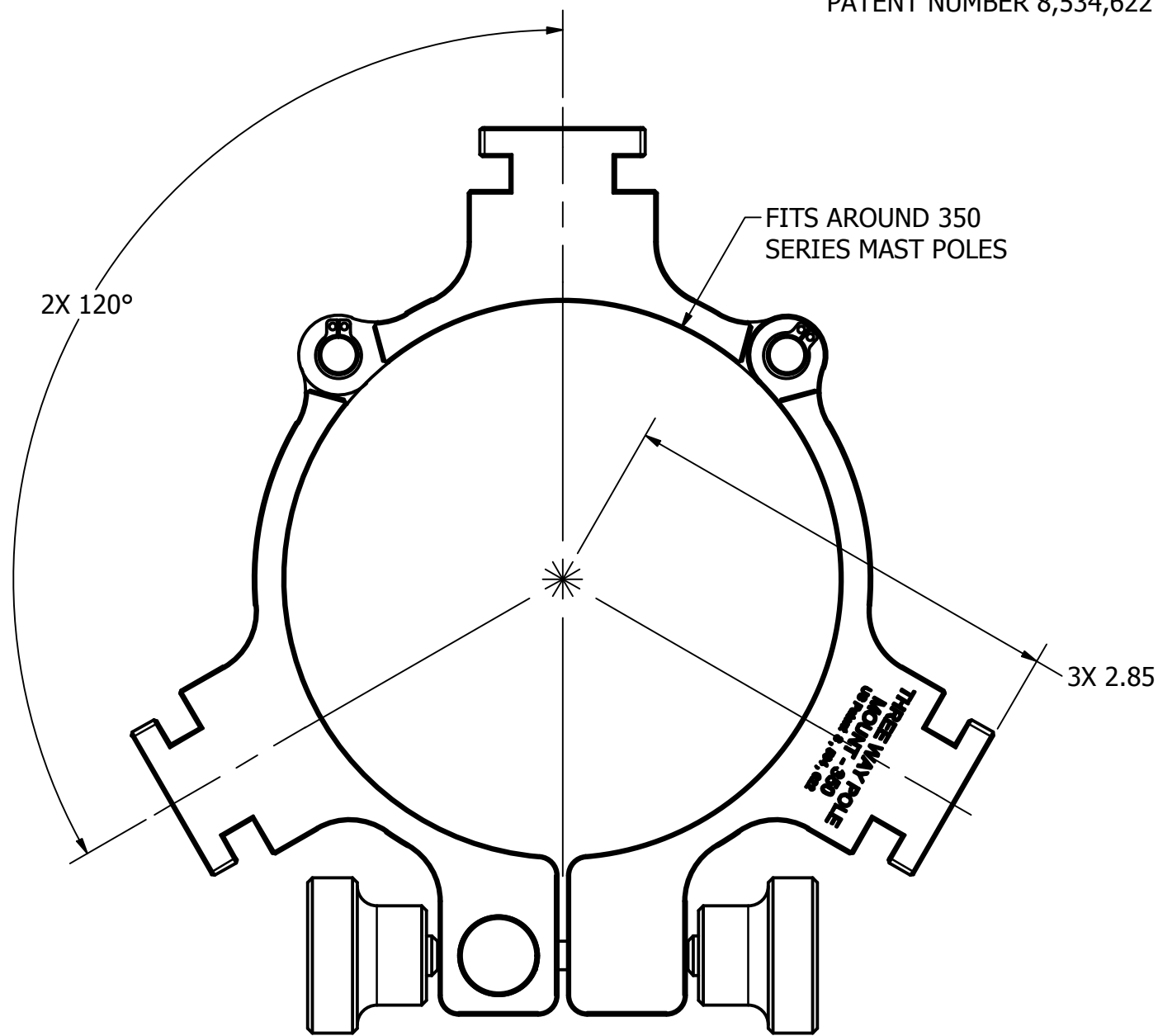


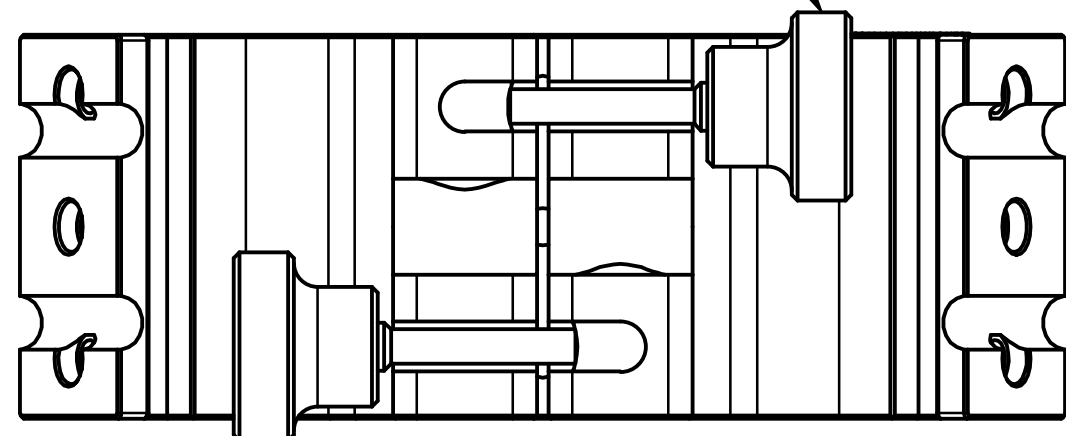
MOUNTING INTERFACE
PATENT NUMBER 8,534,622



REFERENCE VIEWS
ONE SHOWN IN OPEN POSITION



TURNING KNOBS CLOSES GAP,
TIGHTENING CLAMP TO MAST



<p>WEIGHT 2.2 lbs / 1.0 kg</p>	<p align="center">BLUE SKY MAST[®] <i>elevating solutions</i>SM</p>	
<p>BlueSky Mast, Inc. 2080 Wild Acres Rd Largo, FL 33771 www.blueskymast.com sales@blueskymast.com</p>	<p>TITLE POLE MOUNT-350 SERIES-THREE WAY</p> <p>PART NUMBER BSM3-P-A353-T00-000</p> <p align="right">REV 1</p>	
<p>(c) Copyright 2019 Allendale, LLC All Rights Reserved. This specification is subject to change without notice. DRAWING SCALE NONE. DIMENSIONS IN INCHES. SHT 1 OF 1</p>		